



DYSF-42

Hydraulic Hawser Winch

The DYSF-42 is a single-drum hydraulic hawser winch with fairleader, featuring direct-drive power, a high-capacity slip-type brake, two speed ranges, and automatic Render/Recover mode. It's reliable, low-maintenance design is well-suited for escort and ship-assist vessels.

Winch System Specifications

◆ Drum Capacity:	500+ feet / 152 meters - 8.0" circumference / 64 mm diameter synthetic line
◆ Performance:	Two speed ranges: 10,800 lbs / 48 kN @ 46 ft/min / 14 meters/min 2,500 lbs / 11 kN @ 144 ft/min / 44 meters/min
◆ Hydraulic Motor & Drive:	High displacement radial piston motor with freewheel capability.
◆ Optional Power Unit:	40HP / 30 kW electro-hydraulic power unit optional (supplies 20 GPM / 76 LPM @ 2000 PSI / 138 Bar or 62 GPM / 235 LPM @ 850 PSI / 59 Bar)
◆ Winch Braking:	250,000 lbs / 1112 kN minimum brake capacity.
◆ Winch Control:	Wheelhouse controls with on-deck emergency stop and freewheel pushbuttons
◆ Power Requirements:	230/460 VAC 3 Phase, 60Hz. Other source voltage options available.
◆ Weight:	20,600 lbs / 9344 kg



Markey Machinery Company, Inc.

7266 8th Avenue South, Seattle, WA 98108

Ph: (206) 622-4697 Toll Free: (800) 637-3430 Fax: (206) 623-9839

Email: info@markeymachinery.com

Represented by:

Griffin & Associates

355 Grow Avenue NW, Bainbridge Island, WA 98110 (USA)

Ph: (206) 595-9507 Email: bagriffin@griffinassociates.com



ISO 9001:2008 QMS

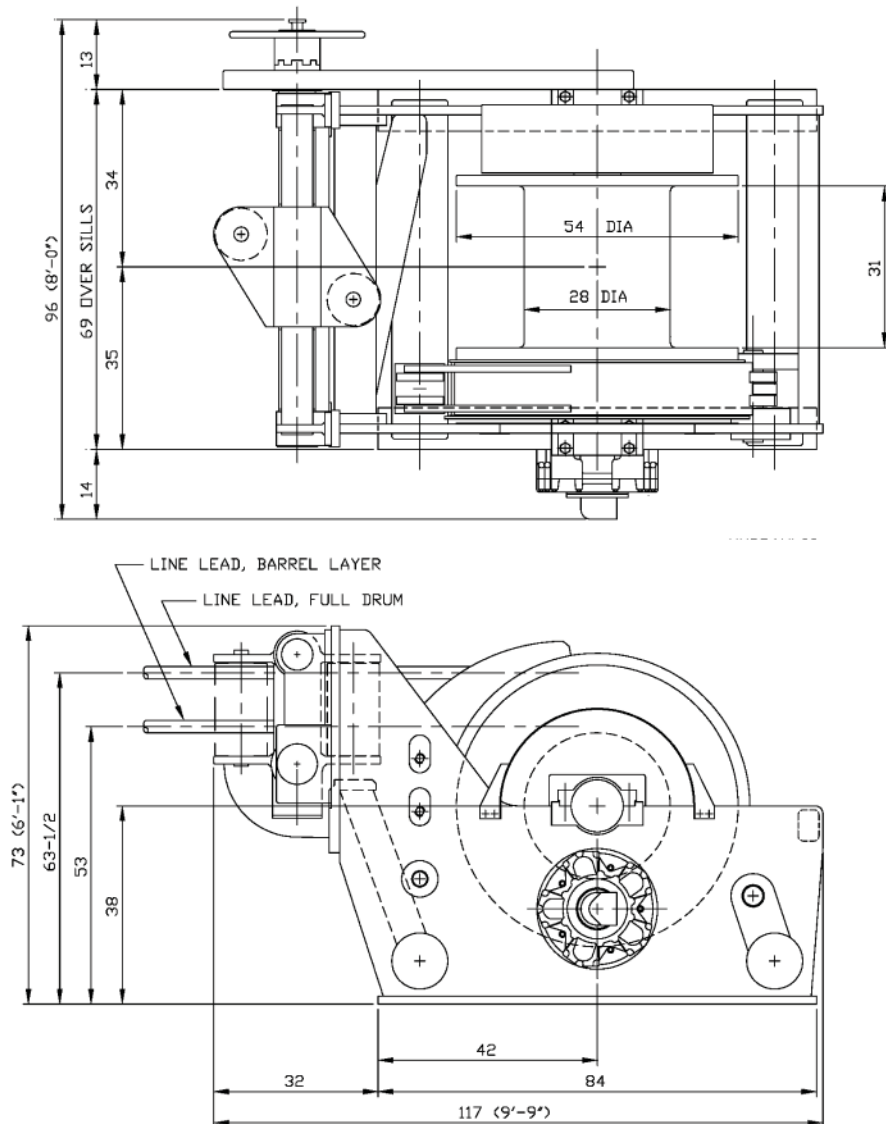
Represented by:

JH Menge & Company, Inc.

5825 Plaque Street, Harahan, LA 70123 (USA)

Ph: (504) 733-4871 Email: fclatour@jhmenge.com

Markey DYSF-42 Winch



Hawser Winch System Options

- ◆ Digital/Analog Line Tension Display System
- ◆ Multiple Station Winch Controls
- ◆ AC Variable Frequency Drive
- ◆ Available with or without optional Fairleader and Warping Head
- ◆ Proportional Brake Control
- ◆ Electrical hooks in system box for ship's UPS
- ◆ Performance ratings can be tailored to suit specific applications

Markey's rugged winches are built to the highest quality workboat standards using materials and processes providing maximum life and minimum maintenance in marine and outdoor applications.

© 2012 MMCo 20336

