



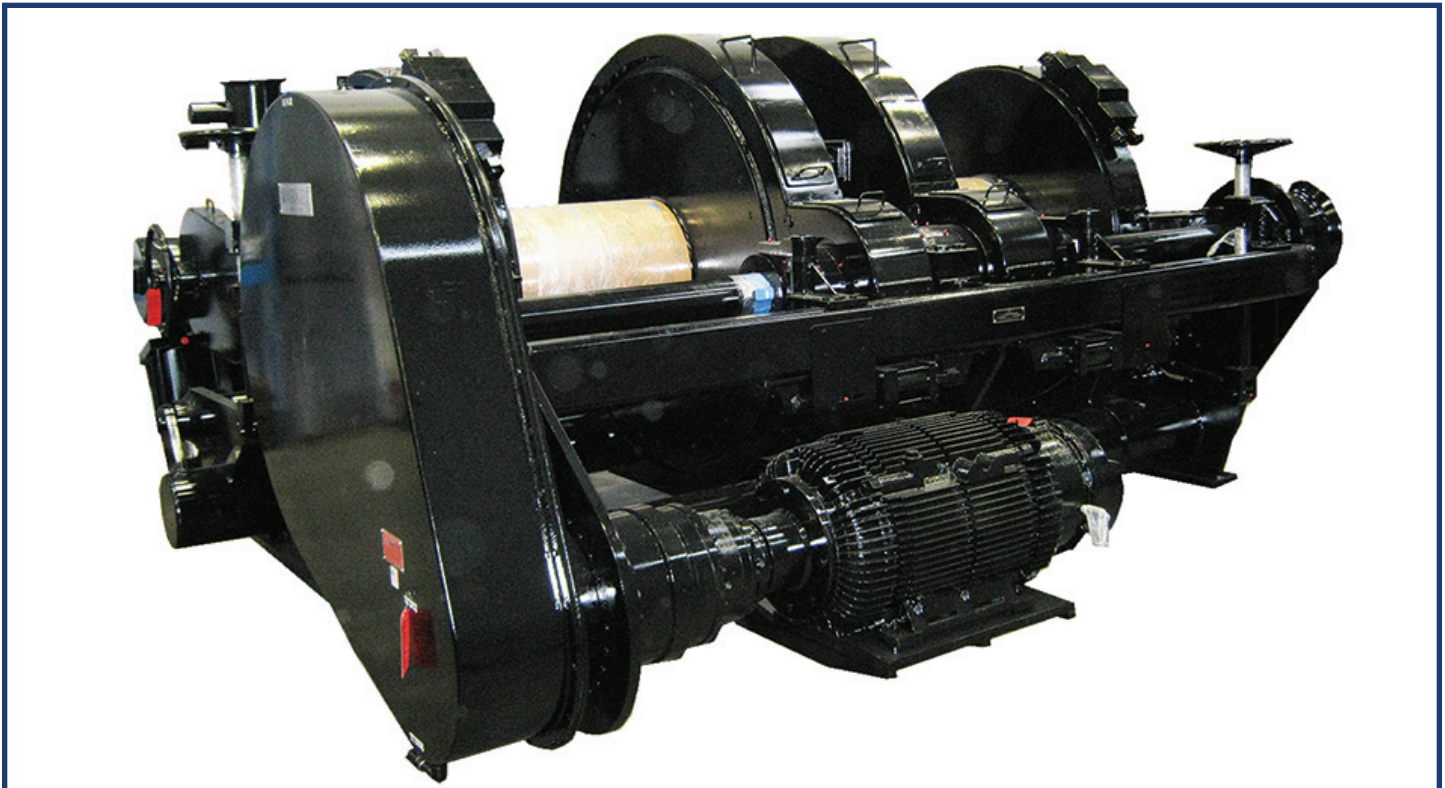
TESD-32-100HP

Electric Towing Winch

The TESD-32-100HP is a rugged double-drum electric towing winch with high line-pull and braking capacity. The unit has a fairlead and warping head, and is designed specifically for offshore towing or anchor-handling applications. Ruggedly built to provide decades of high performance with low maintenance requirements, all electrical components comply with ABS, USCG, and IEEE-45 standards.

Winch System Specifications

- ◆ Drum Capacity: 2300 ft / 700 m of 2 in. diameter / 50 mm wire rope
- ◆ Performance: 143,400 lbs / 638 kN line pull - 110 feet per minute / 34 meters per minute
- ◆ Electric Motor & Drive: 100HP / 75kW AC-variable frequency drive
- ◆ Winch Braking: 400,000 lbs / 1779 kN
- ◆ Power Requirements: 460 VAC 3 Phase, 60Hz. Other source voltage options available
- ◆ Weight: 52,000 lbs / 23,587 kg



Markey Machinery Company, Inc.

7266 8th Avenue South, Seattle, WA 98108

Ph: (206) 622-4697 Toll Free: (800) 637-3430 Fax: (206) 623-9839

Email: info@markeymachinery.com

Represented by:

Griffin & Associates

355 Grow Avenue NW, Bainbridge Island, WA 98110 (USA)

Ph: (206) 595-9507 Email: bagriffin@griffinassociates.com



ISO 9001:2008 QMS

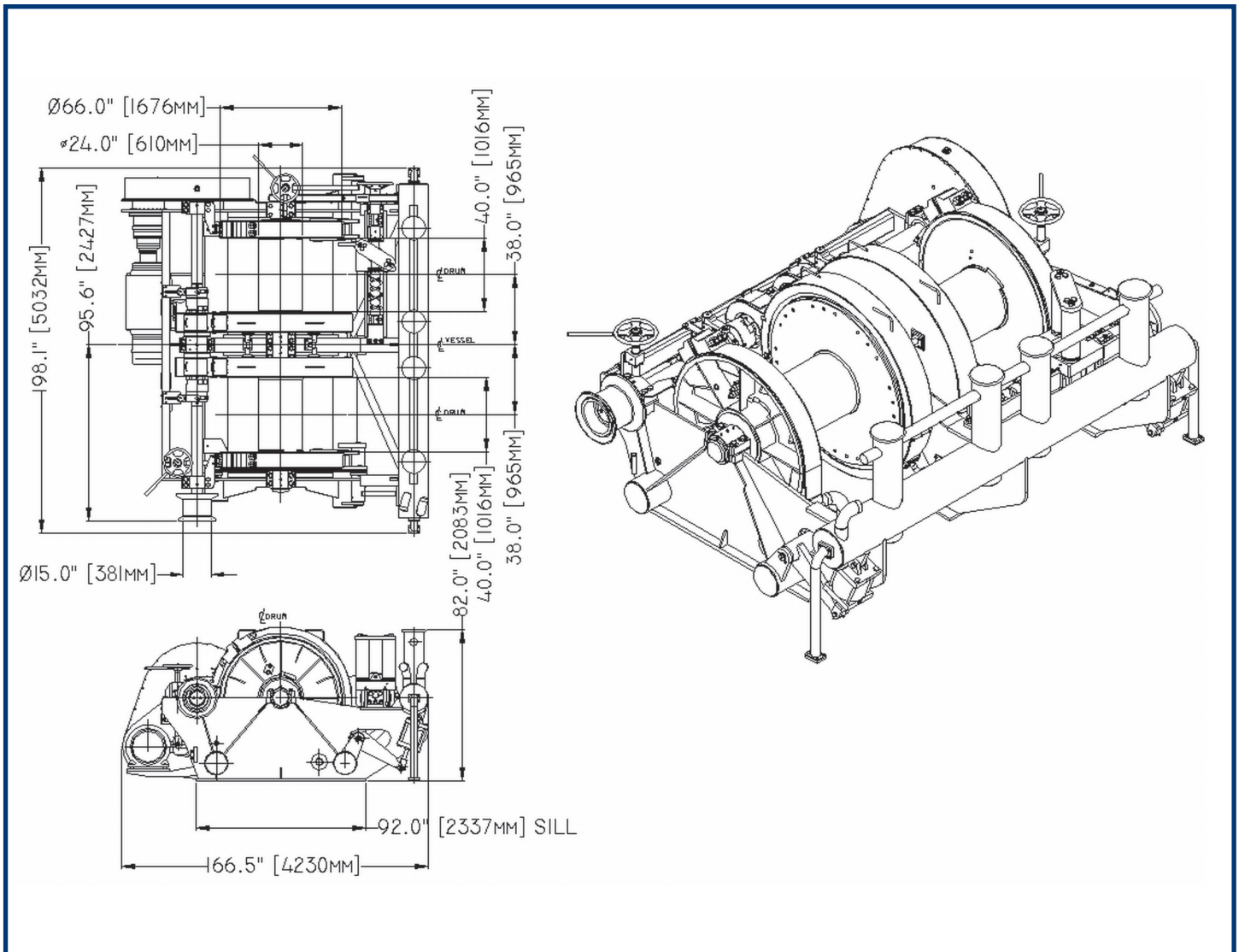
Represented by:

JH Menge & Company, Inc.

5825 Plouche Street, Harahan, LA 70123 (USA)

Ph: (504) 733-4871 Email: folatour@jhmenge.com

Markey TESD-32-100HP



Towing Winch System Options

- ◆ Digital/Analog Line Tension Display System
- ◆ Multiple Station Controls
- ◆ A variety of source power configurations can be accommodated
- ◆ Electrical hooks in system box for ship's UPS
- ◆ Performance ratings can be tailored to suit specific applications
- ◆ Other drum options are available

Markey's rugged winches are built to the highest quality workboat standards using materials and processes providing maximum life and minimum maintenance in marine and outdoor applications.

© 2011 MMCo 20380



Anything Else is Just a Winch!