



CEW-50-10/10HP

Electric Capstan

The CEW-50-10/10HP Electric Capstan is a worm-driven unit with single-line static bending capacity (at midline) of 60,000 lbs. The 10/10 HP, 2-speed capstan features a reversing electric drive w/ pushbutton controls. Electrical components meet ABS, USCG, & IEEE-45 Marine Rules

Winch System Specifications

- ◆ Max. Line Pull: 20,000 lbs (stall), 10,000 lbs @ 24 ft/min, 5,000 lbs @ 48 ft/min.
- ◆ Barrel Dimensions: 15" dia. x 15" high (working surface).
- ◆ Electric Motor & Drive: 10/10 HP, 1800/900 RPM marine-rated motor.
- ◆ Braking Capacity: Auto-brake rated at 150% of motor torque.
- ◆ Power Control: 5-pushbutton NEMA-4X control station (Fast Fwd, Slow Fwd, Stop, Slow Rev, Fast Rev).
- ◆ Power Requirements: 460VAC 3 Phase, 60Hz. Other source voltage options available.
- ◆ Approximate Weight: 2,640 lbs.
- ◆ General Dimensions: 40.25" H x 31.6" W x 55.5" D.



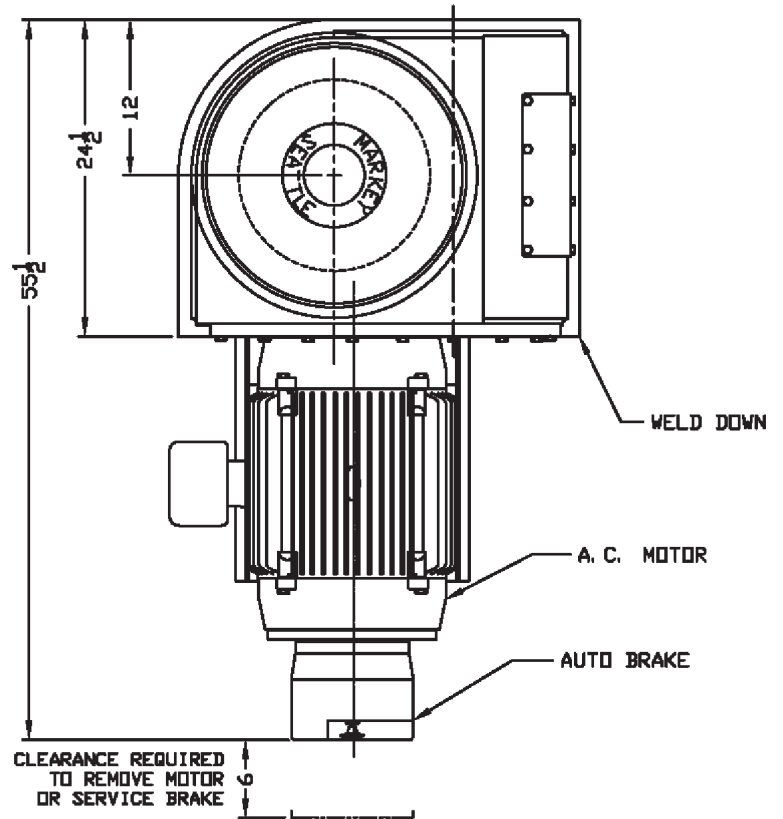
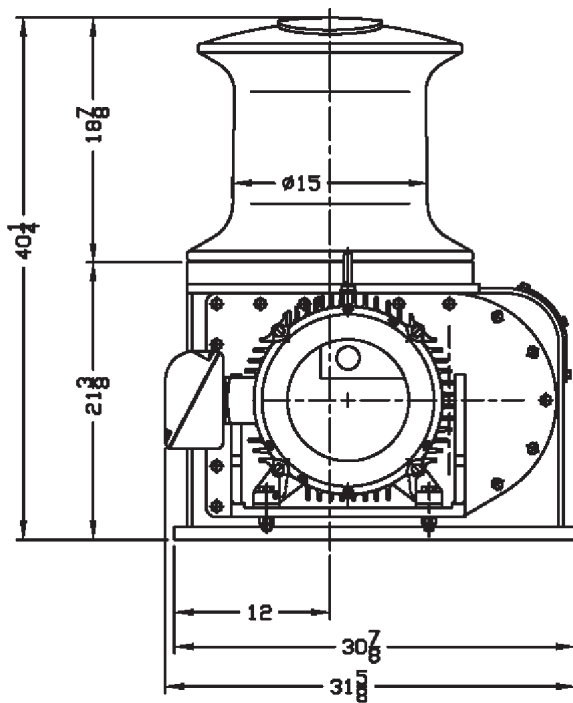
Markey Machinery Company, Inc.
7266 8th Avenue South, Seattle, WA 98108
Ph: (206) 622-4697 Toll Free: (800) 637-3430 Fax: (206) 623-9839
Email: info@markeymachinery.com

Represented by:
Griffin & Associates
355 Grow Avenue NW, Bainbridge Island, WA 98110 (USA)
Ph: (206) 595-9507 Email: bagriffin@griffinassociates.com

MARKEY
ISO 9001:2008 QMS

Represented by:
JH Menge & Company, Inc.
5825 Plauche Street, Harahan, LA 70123 (USA)
Ph: (504) 733-4871 Email: fcflatour@jhmenge.com

Markey CEW-50-10/10HP



- ◆ Hydraulic versions quoted on request
- ◆ Versions available for a variety of source power configurations
- ◆ Performance ratings can be tailored to suit specific applications
- ◆ Single and multiple-speed models are available

Markey's durable capstans are built to the highest quality workboat standards using materials and processes providing maximum life and minimum maintenance in marine and outdoor applications.

© 2011



Anything Else is Just a Winch!