



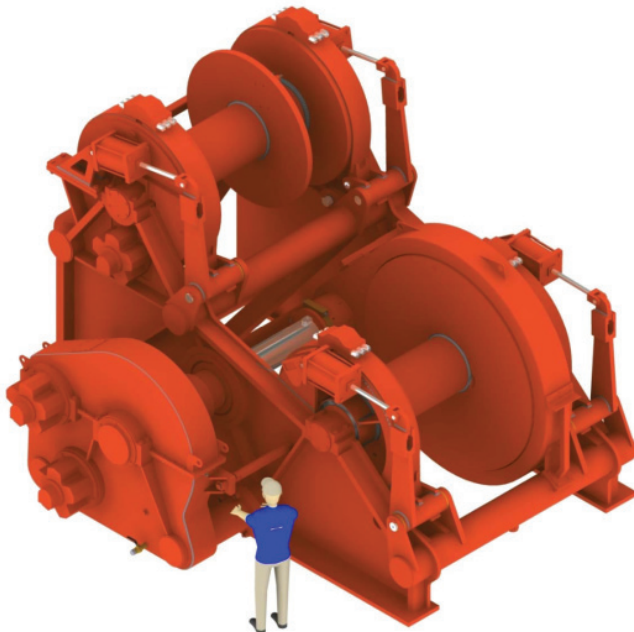
DYSDS-52WF-250MT

Hydraulic Dual-Purpose Winch

The DYSDS-52WF (250MT) Dual-Purpose Winch is designed to support ship assist/escort work and towing operations. This advanced winch system features dual drums with multiple motors and independent drives, arranged in a versatile waterfall configuration. The upper drum is commanded by Markey's exclusive Render/Recover system for safe, tethered escort operations. The lower drum's modular gearbox is removable for easy maintenance.

Winch System Specifications

◆ Max. Drum Capacity:	Dual drum, each with 750 feet / 213 meters of 10.0" circumference / 80 mm diameter synthetic line.
◆ Rated Performance:	Upper escort drum up to 43,000 lbs / 191 kN (continuous) rating / max line-speed of 140 ft/min / 43 m/min. Lower towing/anchor handling drum up to 550,000 lbs / 2446 kN rating / max line-speed of 32 ft/min / 10 m/min.
◆ Max Freewheel Speed:	1000+ ft/min / 305 m/min.
◆ Hydraulic Motor & Drive:	Radial piston motors into two-speed transmissions. Lower drum 200 GPM. Upper drum 60 GPM. Maximum operating pressure 2800 PSI / 193 Bar
◆ Winch Braking:	Stainless steel brake drums, minimum holding capacity up to 500,000 lbs.
◆ Winch Control:	Wheelhouse controls with on-deck emergency stop and freewheel pushbuttons. Line tension display available at all times whether operating the brake.
◆ Weight:	130,000 lbs / 58967 kg



Markey Machinery Company, Inc.

7266 8th Avenue South, Seattle, WA 98108

Ph: (206) 622-4697 Toll Free: (800) 637-3430 Fax: (206) 623-9839

Email: info@markeymachinery.com

Represented by:

Griffin & Associates

355 Grow Avenue NW, Bainbridge Island, WA 98110 (USA)

Ph: (206) 780-0509 Email: bagriffin@griffinassociates.com



ISO 9001:2008 QMS

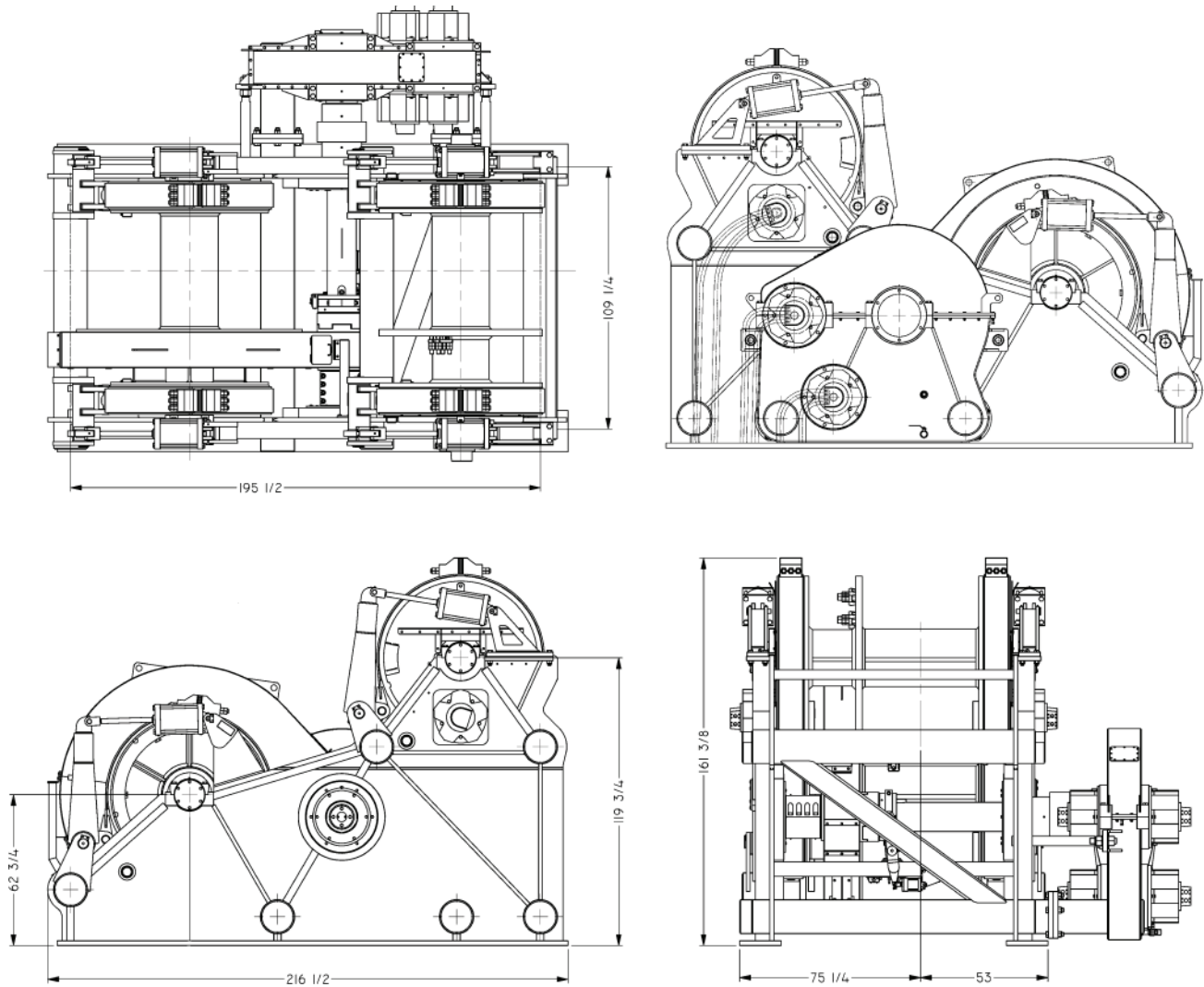
Represented by:

JH Menge & Company, Inc.

5825 Plauche Street, Harahan, LA 70123 (USA)

Ph: (504) 733-4871 Email: fclatour@jhmenge.com

Markey DYSDS-52WF-250MT Winch



Hawser Winch System Options

- ◆ A variety of source power configurations can be accommodated
- ◆ Explosion-proof electric motor and intrinsically-safe controls available
- ◆ Digital analog line tension display system with data-logging
- ◆ Multiple-station winch controls
- ◆ Performance ratings can be tailored to suit specific applications
- ◆ Slip-brake options available
- ◆ Marine-duty epoxy paint system with choice of colors

Markey's rugged winches are built to the highest quality workboat standards using materials and processes providing maximum life and minimum maintenance in marine and outdoor applications.

© 2011 MMCo 20070

