



DYD-42

Hydraulic Direct Drive Hawser Winch

The DYD-42 is a high-performance, direct drive single-drum hydraulic hawser winch with automatic Render/Recover capabilities, adjustable tension and line scope (length) set-points. Constant tension control permits full hands-free operation, with active line-tension monitoring during all winch activities.

Winch System Specifications

◆ Max. Drum Capacity:	450 feet / 137 meters of 7.5" circumference / 64 mm diameter synthetic line
◆ Rated Performance:	17,500 lbs / 77.8 kN (continuous) rating / max line-speed of 416 ft/min / 165 m/min
◆ Max Freewheel Speed:	1000+ ft/min / 305 m/min
◆ Hydraulic Motor & Drive:	Direct drive radial piston hydraulic motor. 45 GPM / 170 LPM @ 3100 PSI / 214 Bar
◆ Winch Braking:	Hydraulically controlled drum band brake, hydraulic set and release. Mid-drum brake holding capacity of 300,000 lbs / 1334 kN minimum
◆ Winch Control:	Wheelhouse controls with on-deck emergency stop and freewheel pushbuttons. Line tension display available at all times whether operating the brake or the electric drive
◆ Weight:	10,000 lbs / 4600 kg



Markey Machinery Company, Inc.

7266 8th Avenue South, Seattle, WA 98108

Ph: (206) 622-4697 Toll Free: (800) 637-3430 Fax: (206) 623-9839

Email: info@markeymachinery.com

Represented by:

Griffin & Associates

355 Grow Avenue NW, Bainbridge Island, WA 98110 (USA)

Ph: (206) 780-0509 Email: bagriffin@griffnassociates.com



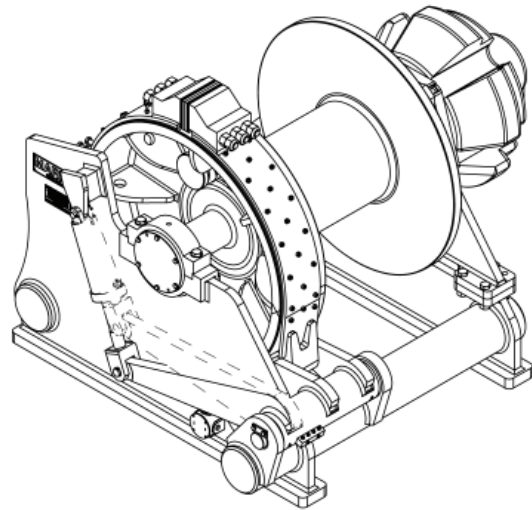
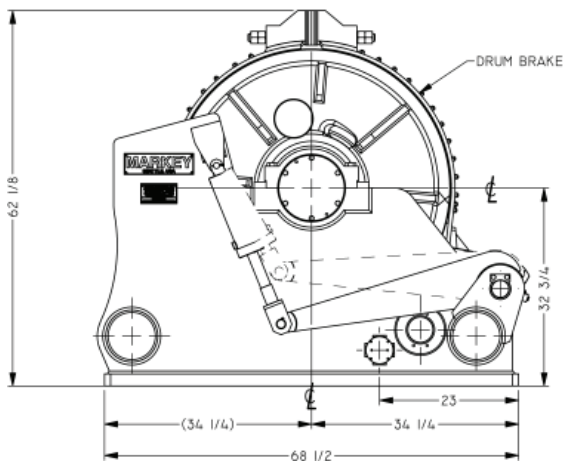
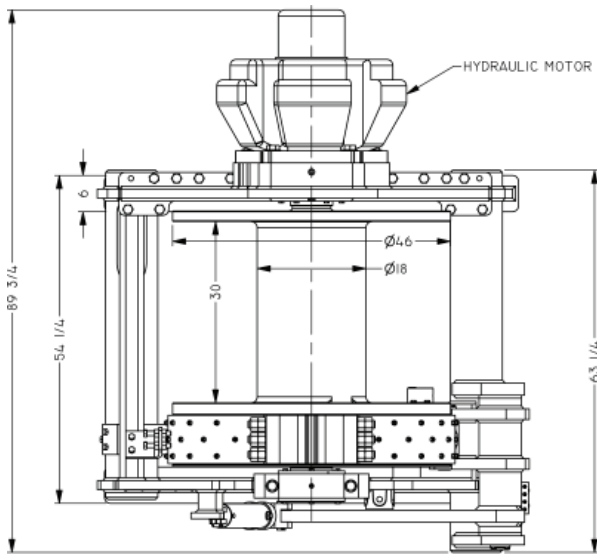
Represented by:

JH Menge & Company, Inc.

5825 Plouche Street, Harahan, LA 70123 (USA)

Ph: (504) 733-4871 Email: fcilatour@jhmenge.com

Markey DYD-42 Winch



Hawser Winch System Options

- ◆ Digital/Analog Line Tension Display System
- ◆ Multiple Station Controls
- ◆ Performance ratings can be tailored to suit specific applications
- ◆ Other drum options are available

Markey's rugged winches are built to the highest quality workboat standards using materials and processes providing maximum life and minimum maintenance in marine and outdoor applications.

© 2011 MMCo 20830



Anything Else is Just a Winch!