



VEP-23-70 VEP-25-70

The VEP-23-70 electric Capstan-Windlass is a vertical-style windlass with 6-pocket wildcat for stud link chain (*5-pocket wildcat on the VEP-25-70*), plus a capstan for line handling. These rugged devices feature powerful 25 HP reversing electric drives w/pushbutton control and enclosure. Electrical systems comply with ABS, USCG, and IEEE-45 Marine Rules.

CAPSTAN-WINDLASS SYSTEM SPECIFICATIONS

◆ Max. Line Pull:	77,050 lbs (stall), 22,665 lbs @ 30 ft/min.
◆ Barrel Dimensions:	21" dia. x 21" high (working surface).
◆ Wildcat:	6-pocket for 1-7/16" (36mm) SL chain. <i>VEP-25-70: 5-pocket for 1-9/16" (39mm) SL chain.</i>
◆ Electric Motor & Drive:	25 HP, 1800 RPM explosion-proof motor (non-explosion-proof motor available).
◆ Power Control:	3-pushbutton NEMA-4X control station (Forward, Stop, Reverse).
◆ Power Requirements:	460VAC 3 Phase, 60Hz, 51A. Other source voltage options available.
◆ General Dimensions:	163.5" H (48.1" above deck) x 65.8" W x 78.2" D. Approximate Weight: 10,000 lbs.



Markey Machinery Company, Inc.

7266 8th Avenue South, Seattle, WA 98108

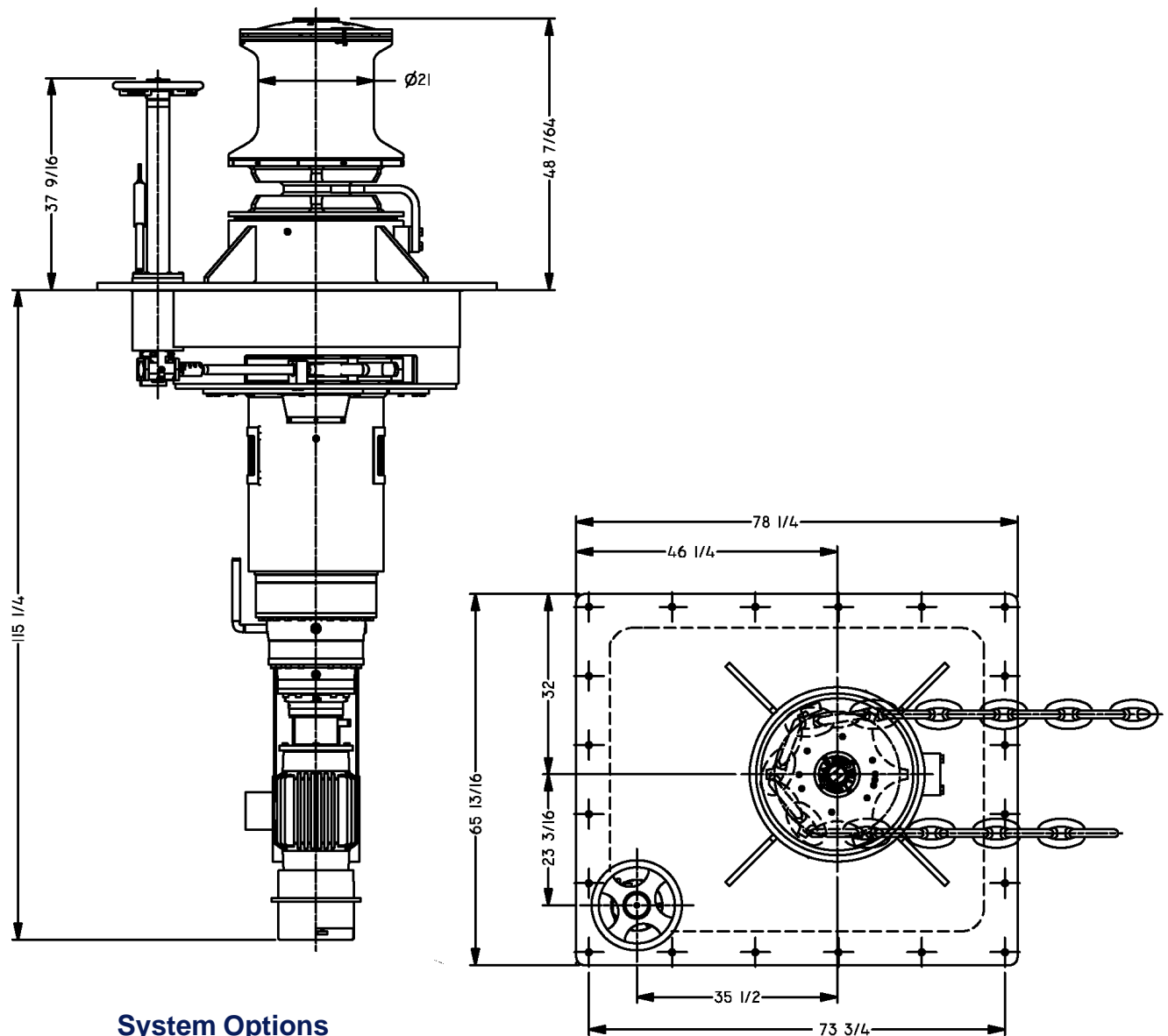
Phone: (206) 622-4697 Toll Free (800) 637-3430 Fax: (206) 623-9839

Email: info@markeymachinery.com

Represented by:

Griffin & Associates - 355 Grow Avenue NW, Bainbridge Island, WA 98110 (USA) Phone: 206-780-0509 Email: bagriffin@griffinassociates.com
JH Menge & Company, Inc - 5825 Plache Street, New Orleans, LA 70123 (USA) Phone: 504-733-4871 Email: fclatour@jhmenge.com

VEP-23-70 / VEP-25-70 Capstan-Windlass



System Options

- ◆ Hydraulic versions quoted on request
- ◆ Versions available for a variety of source power configurations
- ◆ Performance ratings can be tailored to suit specific applications
- ◆ Two-speed versions available
- ◆ Models available for other chain sizes

Markey's Capstan-Windlass models are built to the highest quality workboat standards using materials and processes providing maximum life and minimum maintenance in marine and outdoor applications.

© 2010



Innovation you can depend on