



# COMB-01

## Oceanographic Winch

The Markey COMB-01 is a portable Sidewinder Oceanographic Winch with level wind, powered by a deep-cycle, 24VDC marine battery pack. Its unique powered-sheave form is designed to be mounted like a hanging block - making it ideal for use onboard vessels of opportunity. The COMB-01 winch can be used with plankton sampling nets, lightweight CTD packages, and similar research instruments that do not require a conductive cable.

### WINCH SYSTEM SPECIFICATIONS

- ◆ **Max. Drum Capacity:** 400 meters of 0.188" diameter soft-line. **Max. Total Deck Lift:** 105 kg (230 lbs).
- ◆ **Variable Speed Control:** 0-120 meters/min (0-390 feet/min).
- ◆ **Electric Motor & Drive:** High-efficiency, 3HP permanent magnet DC motor with planetary gearbox.
- ◆ **Winch Control:** NEMA-4X pendant with Speed/Direction joystick, Emergency Stop, and line display.
- ◆ **Power Requirements:** 24VDC battery pack, monitored by a programmable Battery Discharge Indicator.
- ◆ **Winch Dimensions:** 38.2" H x 37.8" W x 18.6" D. **Approximate Weight:** 165 lbs (w/o batteries)



Photo: M. Sturdevant  
R/V Quest



Photo: M. Sturdevant



Photo: M. Sturdevant  
F/V Northwest Explorer

## Markey Machinery Company, Inc.

7266 8th Avenue South, Seattle, WA 98108

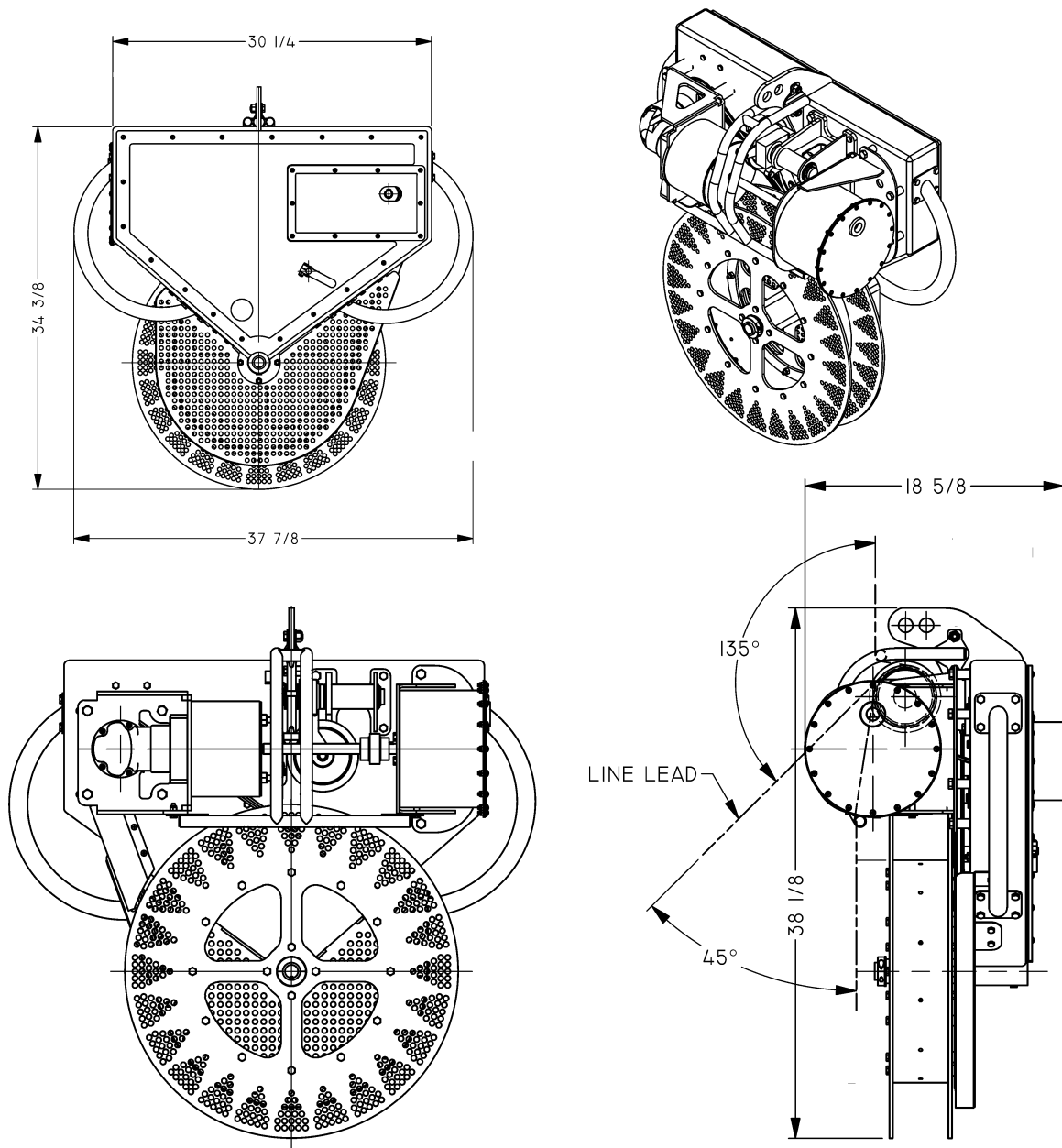
Phone: (206) 622-4697 Toll Free (800) 637-3430 Fax: (206) 623-9839

Email: [info@markeymachinery.com](mailto:info@markeymachinery.com)

Represented by:

Griffin & Associates - 355 Grow Avenue NW, Bainbridge Island, WA 98110 (USA) Phone: 206-780-0509 Email: [bagriffin@griffinassociates.com](mailto:bagriffin@griffinassociates.com)  
JH Menge & Company, Inc - 5825 Plauche Street, New Orleans, LA 70123 (USA) Phone: 504-733-4871 Email: [fclatour@jhmenge.com](mailto:fclatour@jhmenge.com)

# Markey COMB-01 Winch



## COMB-01 Sidewinder Winch System Options

- ◆ Performance ratings can be tailored to suit specific applications
- ◆ A variety of source power configurations can be accommodated
- ◆ Remote display of line inclination, line-speed, and scope-out

© 2011

Markey's durable research winches are built to the highest quality deep sea standards using materials and processes providing maximum life and minimum maintenance in marine and outdoor applications.



*Anything Else is Just a Winch*