



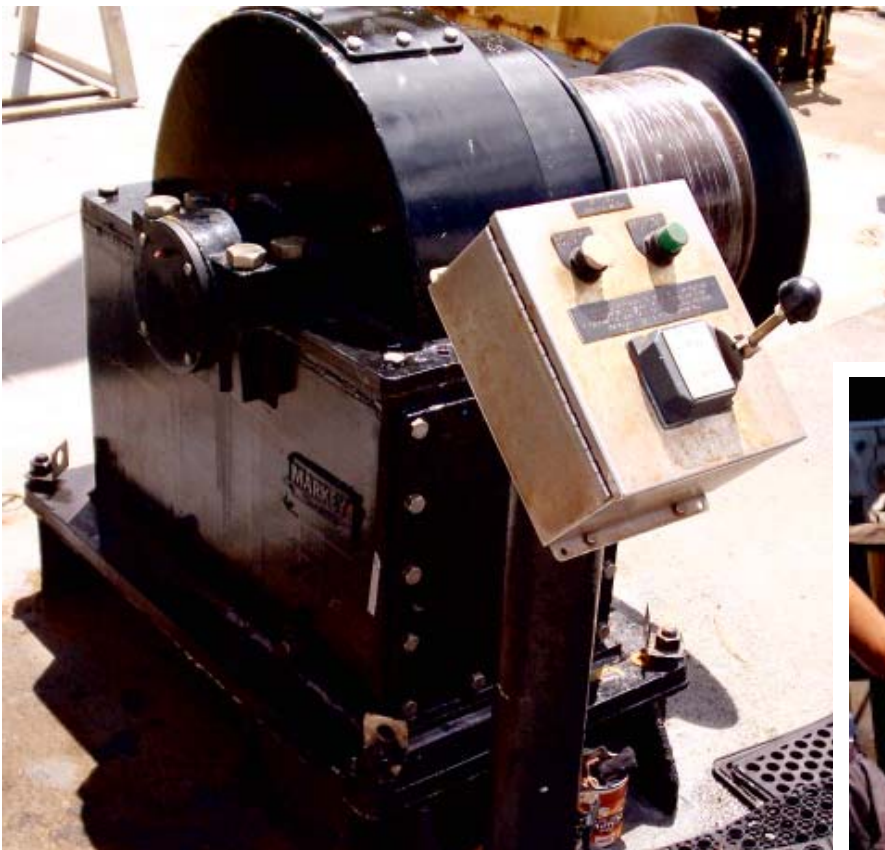
WETG-60

Electric Brailing Winch

The WETG-60 Electric Brailing Winch is a compact line-handling unit with automatic brake and 10,000 pound line-pull capacity. This rugged 15HP winch is easy to use and features a reversing electric drive with joystick and pushbutton control. Electrical components are marine-rated for reliable performance and meet all ABS, USCG, and IEEE-45 standards.

WINCH SYSTEM SPECIFICATIONS

- ◆ **Max. Line Pull:** 10,000 lbs line pull @ 33 ft/min, 2,500 lbs line pull @ 132 ft/min.
- ◆ **Barrel Dimensions:** 18" diameter, available in right and left hand configurations.
- ◆ **Electric Motor & Drive:** Two-speed 15 HP marine-rated motor (motor/brake located below-deck).
- ◆ **Braking Capacity:** Automatic brake rated at 14,230 lbs.
- ◆ **Gypsy Control:** 5-position joystick (Fast/Slow pay-in, pay-out, and Stop).
- ◆ **Power Requirements:** 460VAC 3 Phase, 60Hz. Other source voltage options available.
- ◆ **General Dimensions:** 62.6" H x 40.8" W x 85.1" D. **Approximate Weight:** 6,500 lbs.



Markey Machinery Company, Inc.

4634 East Marginal Way South, Suite C-140, Seattle, WA 98134

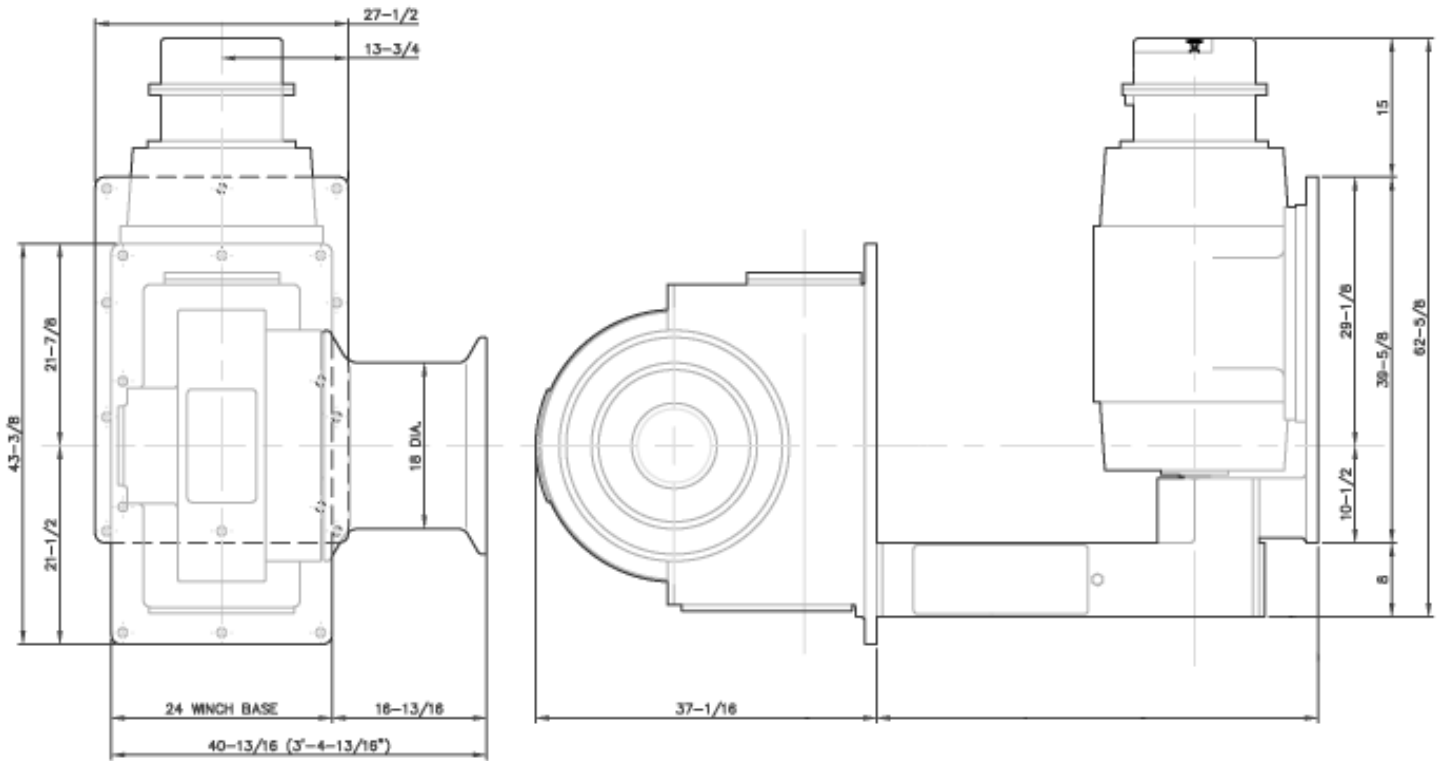
Phone: (206) 622-4697 Toll Free (800) 637-3430 Fax: (206) 623-9839

Email: info@markeymachinery.com

Represented by:

Griffin & Associates - 355 Grow Avenue NW, Bainbridge Island, WA 98110 (USA) Phone: 206-780-0509 Email: bagriffin@griffinassociates.com
JH Menge & Company, Inc - 5825 Plache Street, New Orleans, LA 70123 (USA) Phone: 504-733-4871 Email: fclatour@jhmenge.com

Markey WETG-60 Winch



Brailing Winch System Options

- ◆ Hydraulic versions quoted on request
- ◆ Performance ratings can be tailored to suit specific applications
- ◆ Single-speed versions available
- ◆ Gypsy housing height may be varied as needed for line tailing prior to fabrication
- ◆ Other gypsy controls available
- ◆ A variety of source power configurations can be accommodated

Markey's durable winches are built to the highest quality workboat standards using materials and processes providing maximum life and minimum maintenance in marine and outdoor applications.



Innovation you can depend on