



VEP-32-80

Capstan-Windlass

The VEP-32-80 Electric Capstan-Windlass is a vertical-style windlass with 6-pocket wildcat for 2" SL chain and capstan for line handling. The 40 HP device features a reversing electric drive w/ pushbutton control. Electrical system meets ABS, USCG, & IEEE-45 Marine Rules

WINCH SYSTEM SPECIFICATIONS

- ◆ **Max. Line Pull:** 125,000 lbs (stall), 31,900 lbs @ 33 ft/min.
- ◆ **Barrel Dimensions:** 24" dia. x 24" high (working surface).
- ◆ **Wildcat:** 6-pocket for 2" stud link chain.
- ◆ **Electric Motor & Drive:** 40 HP, 1800 RPM explosion-proof motor (non-explosion-proof motor available).
- ◆ **Power Control:** 3-pushbutton NEMA-4X control station (Forward, Stop, Reverse).
- ◆ **Power Requirements:** 460VAC 3 Phase, 60Hz, 51A. Other source voltage options available.
- ◆ **Approximate Weight:** 16,900 lbs.
- ◆ **General Dimensions:** 83.2" H (50.2" above deck) x 80.0" W x 80.0" D.



Markey Machinery Company, Inc.

4634 East Marginal Way South, Suite C-140, Seattle, WA 98134

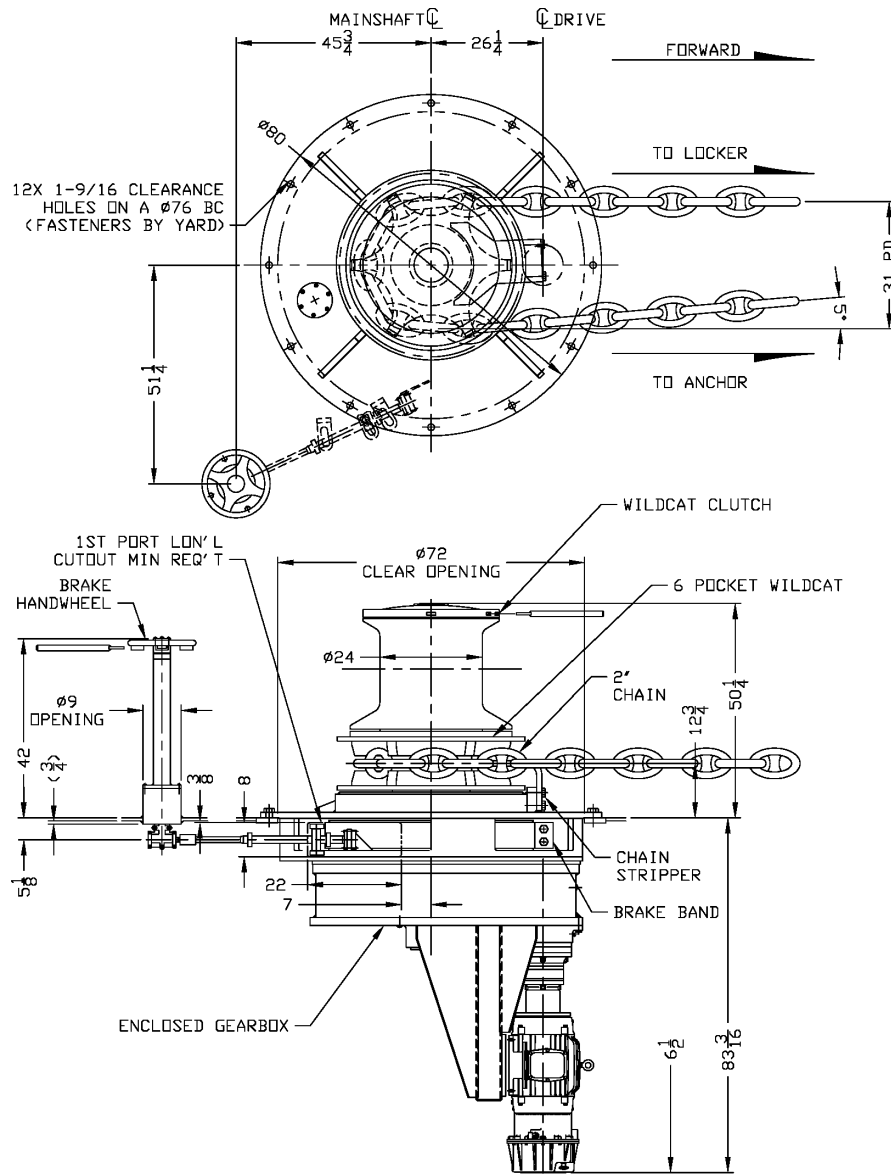
Phone: (206) 622-4697 Toll Free (800) 637-3430 Fax: (206) 623-9839

Email: info@markeymachinery.com

Represented by:

Griffin & Associates - 355 Grow Avenue NW, Bainbridge Island, WA 98110 (USA) Phone: 206-780-0509 Email: bagriffin@griffinassociates.com
JH Menge & Company, Inc - 5825 Plache Street, New Orleans, LA 70123 (USA) Phone: 504-733-4871 Email: fclatour@jhmenge.com

VEP-32-80 Capstan-Windlass



System Options

- ◆ Hydraulic versions quoted on request
- ◆ Versions available for a variety of source power configurations
- ◆ Performance ratings can be tailored to suit specific applications
- ◆ Two-speed versions available
- ◆ Models available for other chain sizes

© 2006

Markey's Capstan-Windlass models are built to the highest quality workboat standards using materials and processes providing maximum life and minimum maintenance in marine and outdoor applications.



Innovation you can depend on