



DUSS-4

Version 16359

The innovative DUSS-4 is a compact hydraulic research winch featuring a removable drum via an integrated main shaft and exchanging hoist. Winch includes variable speed control, failsafe auto-brake, and removable control panel for remote winch operation. The DUSS-4 is ruggedly designed and perfect for ocean research projects utilizing vessels of opportunity.

WINCH SYSTEM SPECIFICATIONS

- ◆ **Max. Drum Capacity:** Varies based on drum used.
- ◆ **Variable Speed Control:** 0 to 100 meters/min line speed, up to 3,000 lb line pull.
- ◆ **Hydraulic Motor & Drive:** Radial-piston motor with freewheel capability.
30HP Hydraulic Power Unit (32 GPM / 2600 PSI).
- ◆ **Winch Control:** Removable operator control pad (for remote control from a safe location).
- ◆ **Approximate Weight:** 2,200 lbs (1,000 kg).
- ◆ **Winch Dimensions:** 72.5" H x 54.0" W x 55.0" D.



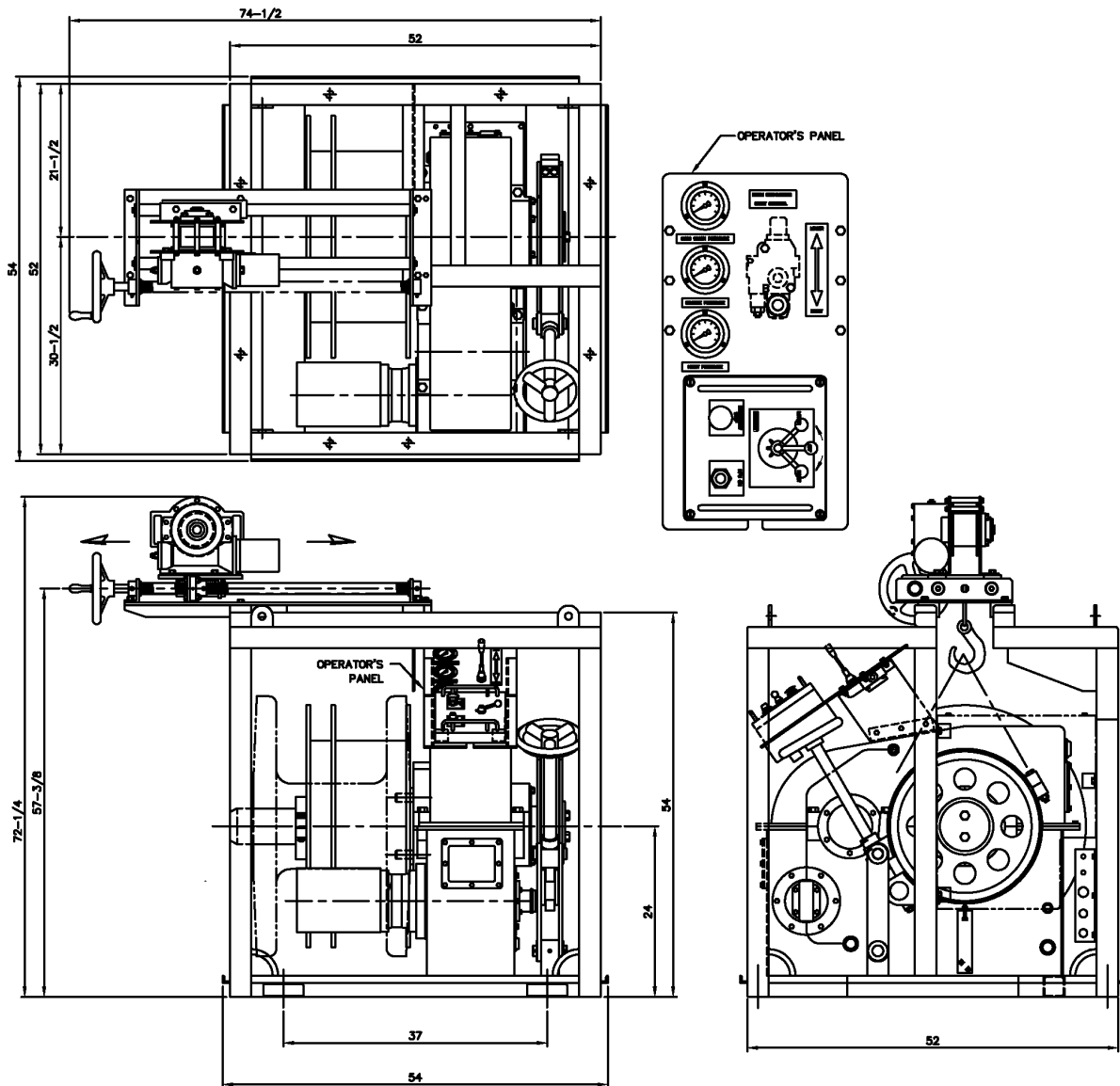
Markey Machinery Company, Inc.

4634 East Marginal Way South, Suite C-140, Seattle, WA 98134
Phone: (206) 622-4697 Toll Free (800) 637-3430 Fax: (206) 623-9839
Email: info@markeymachinery.com

Represented by:

Griffin & Associates - 355 Grow Avenue NW, Bainbridge Island, WA 98110 (USA) Phone: 206-780-0509 Email: bagriffin@griffinassociates.com
JH Menge & Company, Inc - 5825 Plache Street, New Orleans, LA 70123 (USA) Phone: 504-733-4871 Email: fclatour@jhmenge.com

Markey DUSS-4 Winch



DUSS Winch System Options

- ◆ Performance ratings can be tailored to suit specific applications
- ◆ Other winch control systems available (pendant-type or joystick)
- ◆ Winch can be configured to suit a wide variety of line or cable sizes and capacity ratings
- ◆ Encoder-based option available for remote display of line-speed and scope-out only
- ◆ Markey can furnish cable, wire-rope, factory-spooling, and cable-termination services
- ◆ A variety of marine-duty surface finishes available

Markey's rugged oceanographic winches are built to deepsea standards using materials and processes providing maximum life and minimum maintenance in marine and outdoor applications.

MARKEY

Innovation you can depend on