



# DEPC-52

## Electric Hawser Winch

The DEPC-52 is a single-drum electric hawser winch featuring automatic tension-selectable render-recover mode, high braking capacities, and fast line speeds for escort and ship-assist vessels. All electrical components comply with ABS, USCG, and IEEE-45 standards.

### WINCH SYSTEM SPECIFICATIONS

- ◆ **Max. Drum Capacity:** Over 770 feet of 9.5"/10.0" circumference synthetic line (9 layers).
- ◆ **Rated Line-Pull:** 47,300 lbs (near stall); 31,500 lbs rated line-pull at 67 feet per minute (barrel layer).
- ◆ **Electric Motor & Drive:** 75HP marine-duty electric motor with AC-variable frequency drive.
- ◆ **Winch Braking:** Total brake capacity of over 518,000 lbs at the second layer.  
Air-set/release drum brake with joystick control, freewheel mode, and override lever.
- ◆ **Winch Control:** Wheelhouse controls with on-deck emergency stop and freewheel pushbuttons.
- ◆ **Power Requirements:** 460VAC 3 Phase, 60Hz. Other source voltage options available.
- ◆ **Approximate Weight:** 23,000 lbs.
- ◆ **Winch Dimensions:** 88.8" H x 83.7" W x 110.5" D.



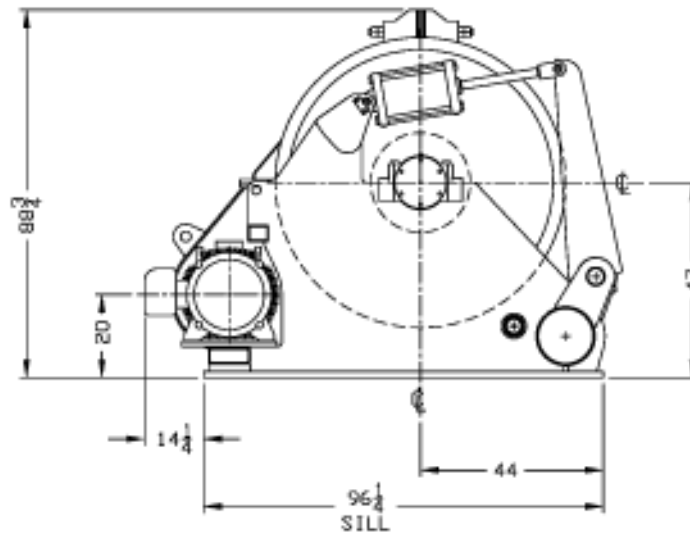
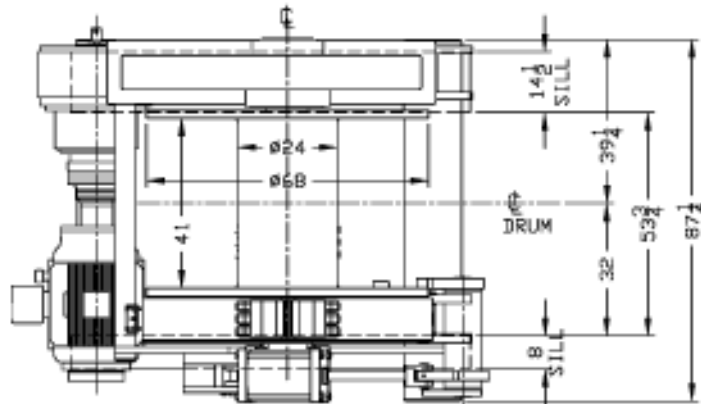
## Markey Machinery Company, Inc.

4634 East Marginal Way South, Suite C-140, Seattle, WA 98134  
Phone: (206) 622-4697 Toll Free (800) 637-3430 Fax: (206) 623-9839  
Email: [info@markeymachinery.com](mailto:info@markeymachinery.com)

Represented by:

Griffin & Associates - 355 Grow Avenue NW, Bainbridge Island, WA 98110 (USA) Phone: 206-780-0509 Email: [bagriffin@griffinassociates.com](mailto:bagriffin@griffinassociates.com)  
JH Menge & Company, Inc - 5825 Plauche Street, New Orleans, LA 70123 (USA) Phone: 504-733-4871 Email: [fclatour@jhmenge.com](mailto:fclatour@jhmenge.com)

# Markey DEPC-52 Winch



## Hawser Winch System Options

- ◆ Explosion-proof electric motor and intrinsically-safe controls
- ◆ Digital/Analog Line Tension Display System
- ◆ Multiple-station winch controls
- ◆ Hydraulic power systems and winch-drives available
- ◆ Models available with or without fairleader, and with or without warping head
- ◆ Proportional brake control available
- ◆ A variety of source power configurations can be accommodated
- ◆ Electrical hooks in system box for ship's UPS
- ◆ Performance ratings can be tailored to suit specific applications

Markey's rugged hawser winches are built to the highest quality workboat standards using materials and processes providing maximum life and minimum maintenance in marine and outdoor applications.



*Innovation you can depend on*