



DEBT-3

Electric Research Winch

The DEBT-3 (Bathy-Thermograph) winch is a vertical-format, single drum electric winch with level-wind and variable speed control designed for use with industry standard CTD's, water sampling carousels, and payloads typically used on inshore/coastal research vessels.

WINCH SYSTEM SPECIFICATIONS

- ◆ **Max. Drum Capacity:** 1,200M of .125" wire rope, on 9 layers.
- ◆ **Max. Total Deck Lift:** 320 lbs (145kg) at full drum.
- ◆ **Variable Speed Control:** 0 to 247 feet/min cable speed, up to 400 lb line pull.
- ◆ **Electric Motor & Drive:** 3 HP, AC-Variable frequency.
- ◆ **Winch Control:** Handheld NEMA 4X pendant control pad on 25' cable.
- ◆ **Power Requirements:** 208VAC 3 Phase, 60Hz, 15A. Other source voltage options available.
- ◆ **Approximate Weight:** Without cable, 876 lbs (398kg).
- ◆ **Winch Dimensions:** 48.0" H x 57.0" W x 29.0" D



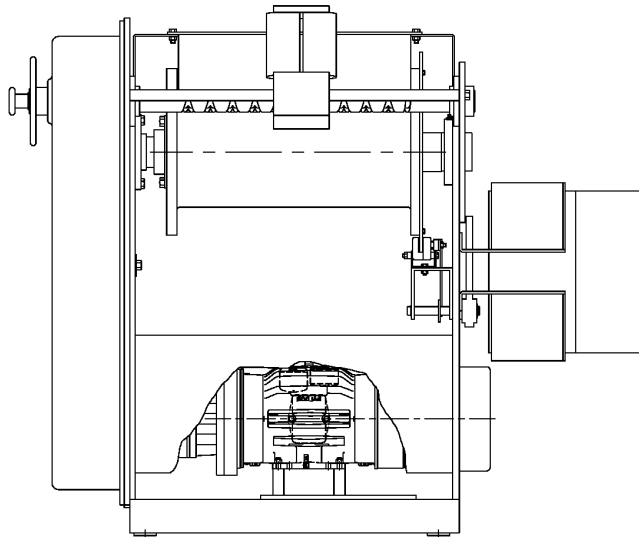
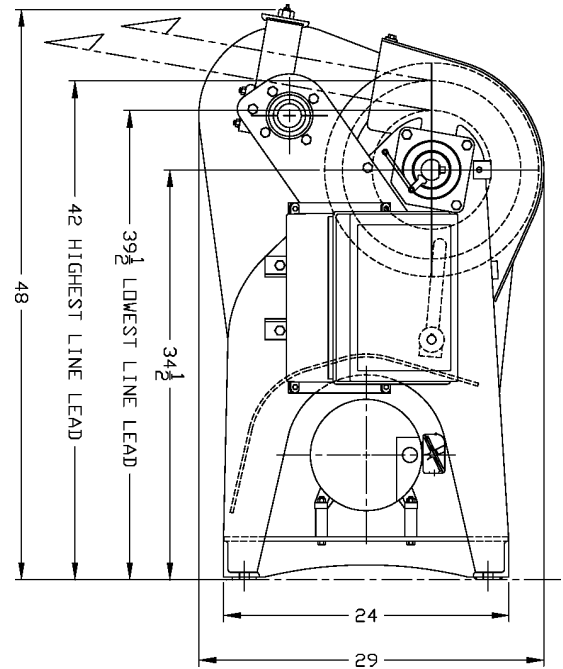
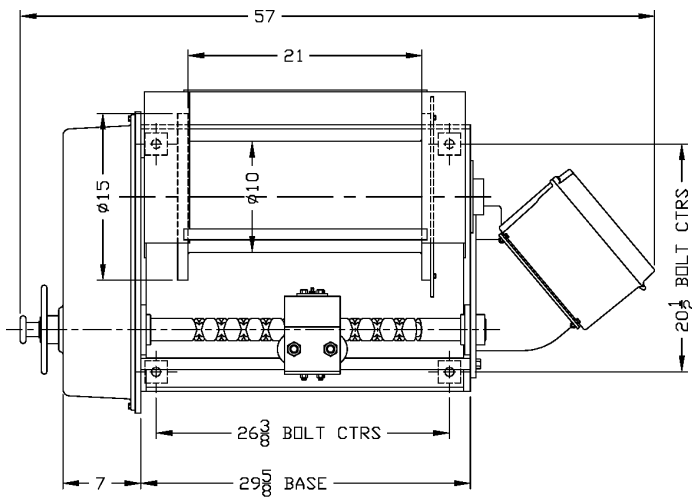
Markey Machinery Company, Inc.

4634 East Marginal Way South, Suite C-140, Seattle, WA 98134
Phone: (206) 622-4697 Toll Free (800) 637-3430 Fax: (206) 623-9839
Email: info@markeymachinery.com

Represented by:

Griffin & Associates - 355 Grow Avenue NW, Bainbridge Island, WA 98110 (USA) Phone: 206-780-0509 Email: bagriffin@griffinassociates.com
JH Menge & Company, Inc - 5825 Plache Street, New Orleans, LA 70123 (USA) Phone: 504-733-4871 Email: fclatour@jhmenge.com

Markey DEBT-3 Winch



DEBT Winch System Options

- ◆ Performance ratings can be tailored to suit specific applications
- ◆ Other winch control systems available (pendant-type or joystick)
- ◆ Manual band-brake and drum-disconnect clutch options
- ◆ Drum and level-wind can be configured to suit other cable sizes and capacity ratings
- ◆ Encoder-based option available for remote display of line-speed and scope-out only
- ◆ Markey can furnish cable, wire-rope, factory-spooling, and cable-termination services
- ◆ Steel or aluminum construction. Brushed-aluminum or other marine-duty surface finishes available

Markey's rugged, reliable DEBT winches are built to deepsea standards using materials and processes providing maximum life and minimum maintenance in marine and outdoor applications.

MARKEY

Innovation you can depend on